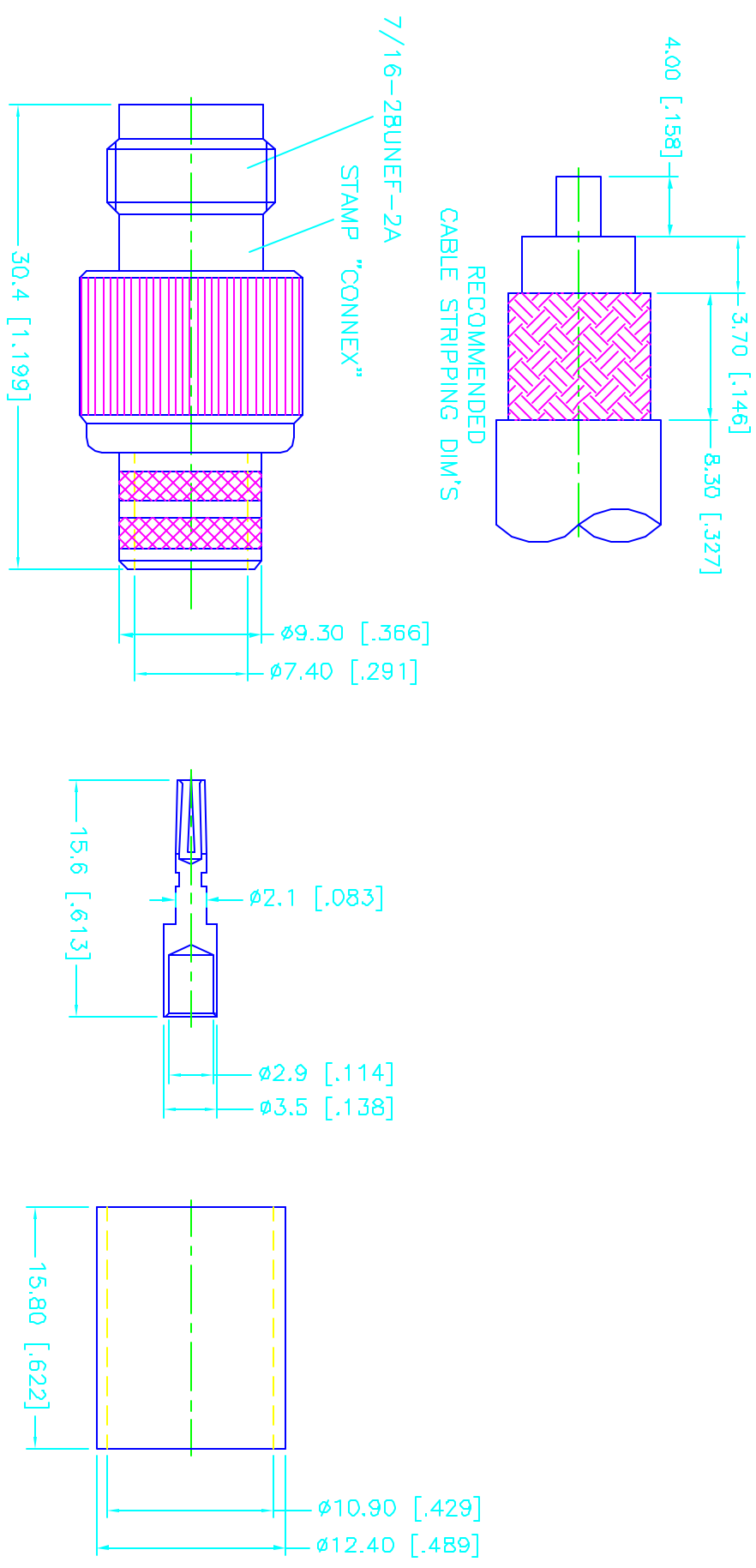


REV.	DATE	DESCRIPTION
NC	04/16/98	INITIAL RELEASE



DESCRIPTION	MATERIAL	FINISH	UNLESS OTHERWISE SPECIFIED DIMENSIONS ARE IN MILLIMETERS FOR CUSTOMER REFERENCE ONLY	APPROVALS	DATE	TITLE	SCALE	PART NO.	SHEET
1 BODY	BRASS	NICKEL	UNLESS OTHERWISE SPECIFIED DIMENSIONS ARE IN MILLIMETERS FOR CUSTOMER REFERENCE ONLY TOLERANCES FOR MILLIMETERS ARE: 0.5-6 ± 0.2 6-30 ± 0.4 30-120 ± 0.6 120-375 ± 1 375-1000 ± 1.6 1000-2000 ± 2.4	DRAWN	04/16/98	TNC CRIMP JACK (FOR BELDEN 8214, 9913) LMR 400 CABLE Connex Connector Corporation	NA	122392	1 OF 1
2 INSULATOR	TEFLON	NATURAL		CHECKED	G.R.S.				
3 CONTACT PIN	PHOS. BRONZE	GOLD		ISSUED					
4 FERRULE	JIS	NICKEL							
5									
6									
7									
8				DO NOT SCALE DRAWING					